

Installation Instructions

EVO ROUND BASIN AND SHROUD EV45RBS | EV55RBSN



IMPORTANT!
Please read these instructions
prior to installation

EVO ROUND BASIN AND SHROUD EV45RBS | EV55RBSN

Warranty Information

Scan for Warranty details or follow this link
- plumblines.co.nz/warranty-information



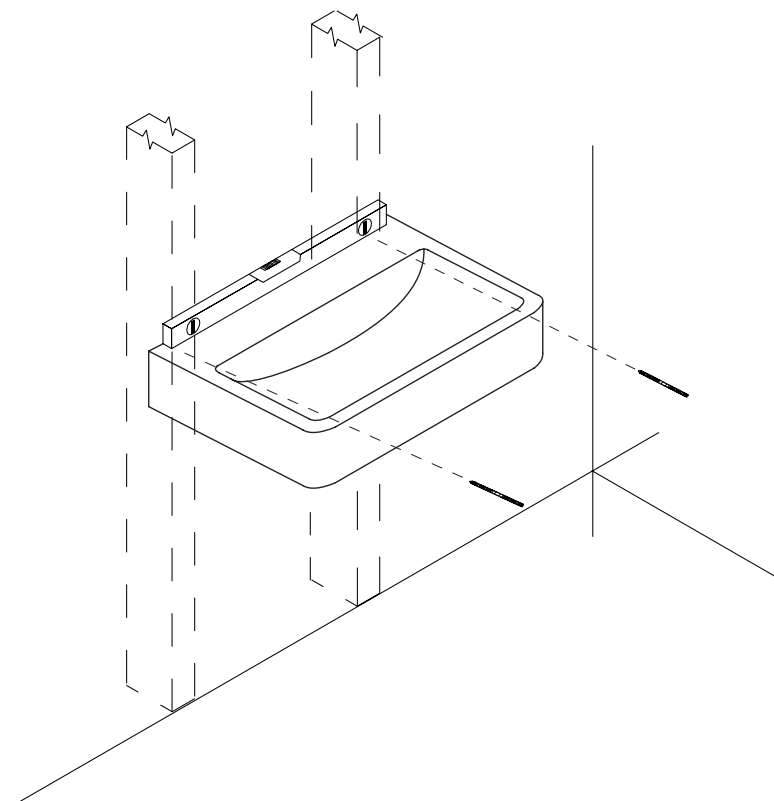
Care & Maintenance

Scan for Care & Maintenance Guide or follow this link -
plumblines.co.nz/productattachments/download/link/id/2825



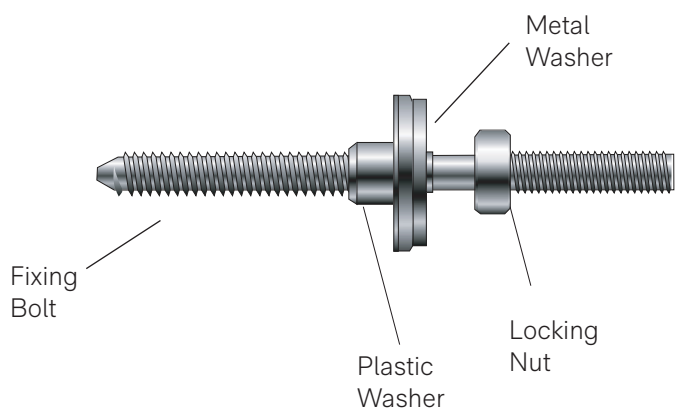
Notes:

- Prior to installing the basin and shroud, inspect them carefully to ensure that they have not been damaged during transit.
- The installation must be carried out by a qualified licenced tradesperson.
- Two Installers will be required for some installation steps.
- During the installation process, avoid leaving tools in the basin.
- Any dimension discrepancies or glazing imperfection claims against vitreous china products that are permitted within AS1976 vitreous china products used in Sanitary Applications. It is permitted that vitreous china products can vary up to +/-3mm on any surface due to the unique conditions of the manufacturing process.
- It is recommended that the basin is installed against a cement based, non compressible wall-lining.
- As shown in the below illustration, the fixing bolts must be fastened through into sufficient framing,

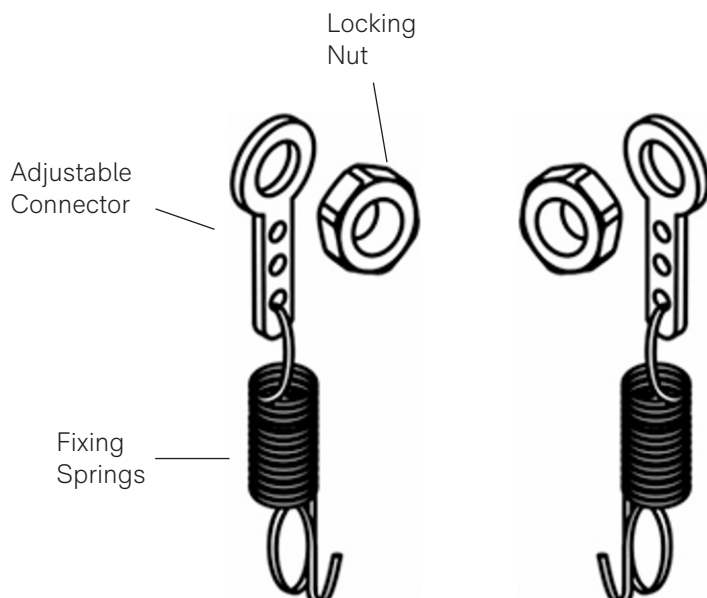


EVO ROUND BASIN AND SHROUD EV45RBS | EV55RBSN

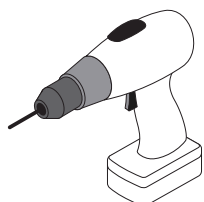
Basin Bolt Set Included - Code: HDDBS



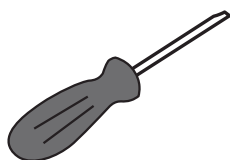
Basin-to-Shroud Fixing Set



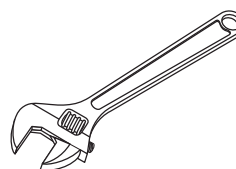
Tools Required For Installation:



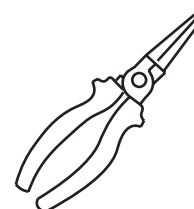
Drill



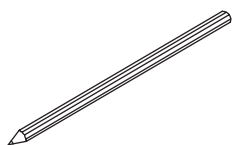
Flat Screwdriver



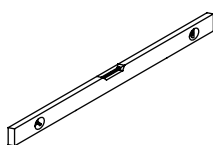
Spanner/
Wrench



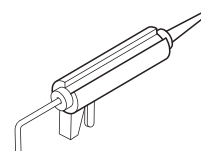
Pliers



Pencil/
pen



Level

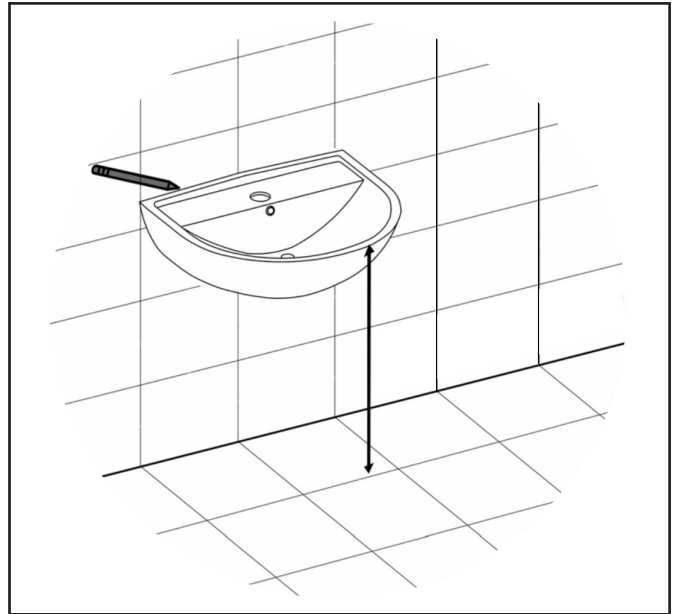


Silicone

EVO ROUND BASIN AND SHROUD EV45RBS | EV55RBSN

1

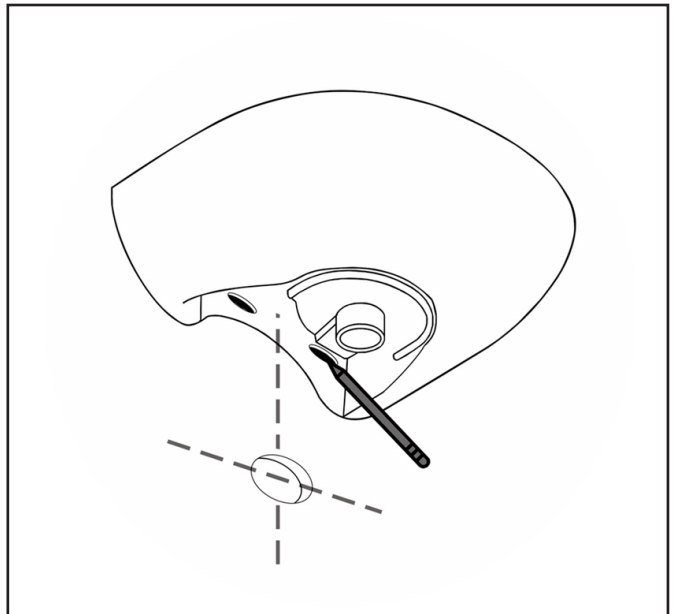
Mark out the on the wall the desired height of the basin.



2

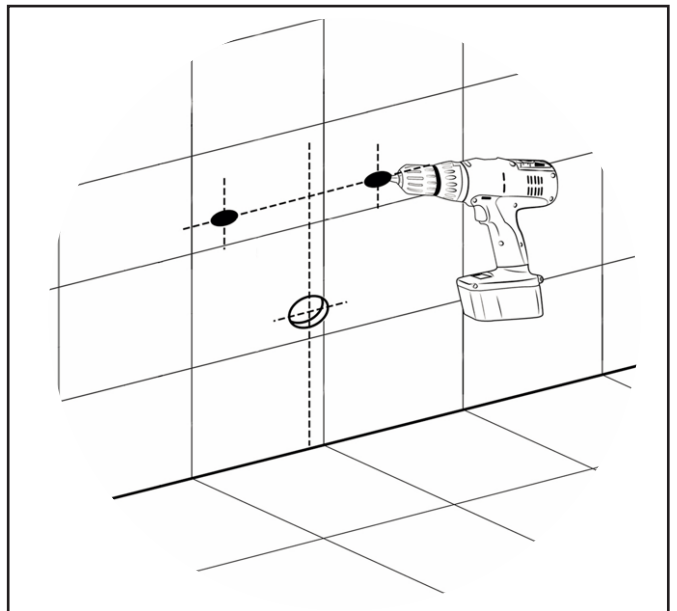
Once the height of the basin has been determined, mark out the fixing holes accordingly whilst ensuring the centre of the waste aligns with the waste pipe in the wall.

Note: the waste outlet must be in a location that will allow for the waste trap to sit inside the shroud.



3

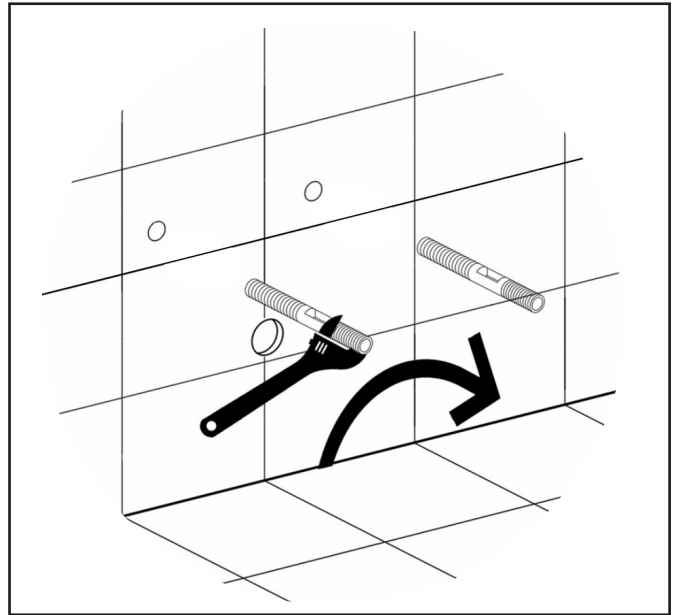
Pre-drill the fixing holes through the wall-lining and into the framing with the appropriate sized drill bit.



EVO ROUND BASIN AND SHROUD EV45RBS | EV55RBSN

4

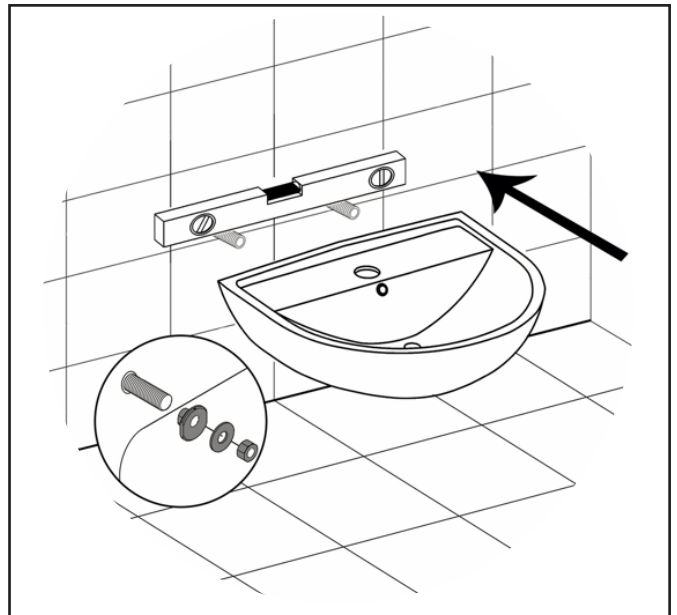
Using the flats on the fixing bolts, screw in the fixing bolts until the wrench contacts the wall.



5

Locate the fixing holes in the rear of the basin and push the basin back onto the fixing bolts. Slide the plastic washer, then metal washer onto the fixing bolt and fix the locking nut hand-tight.

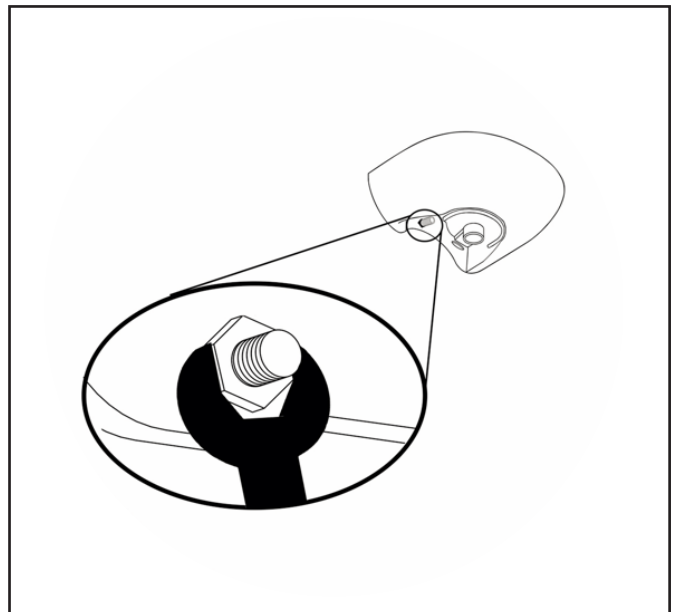
Note: Check that the basin is sitting level, packers may be required at the rear of the basin.



6

Using a spanner, tighten the locking nuts with a spanner.

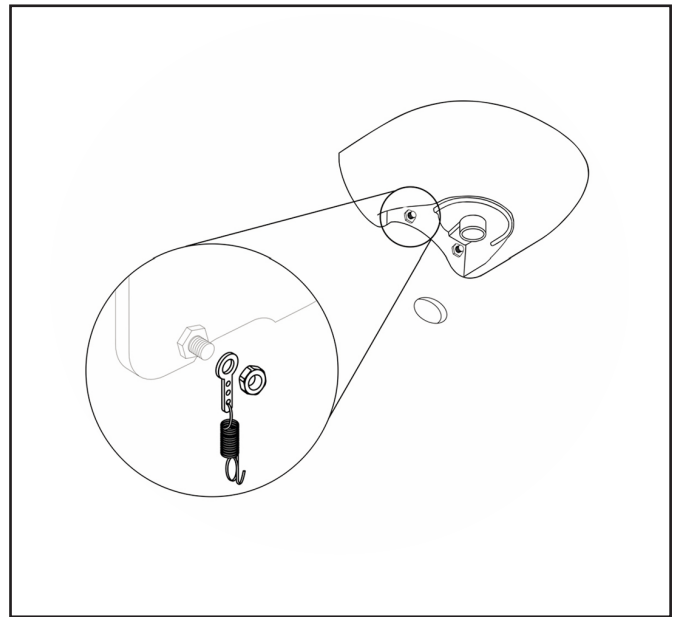
Note: Now that the basin is fastened securely in place, fit the basin with the tapware, waste and waste trap.



EVO ROUND BASIN AND SHROUD EV45RBS | EV55RBSN

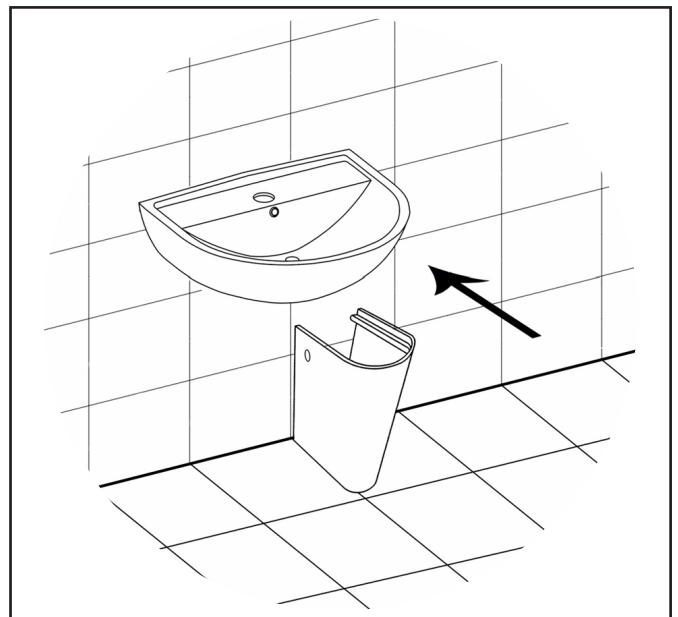
7

Slide the adjustable connector onto the exposed thread of the fixing bolt and tighten in place with the second locking nut. Hook the fixing springs into the connectors.



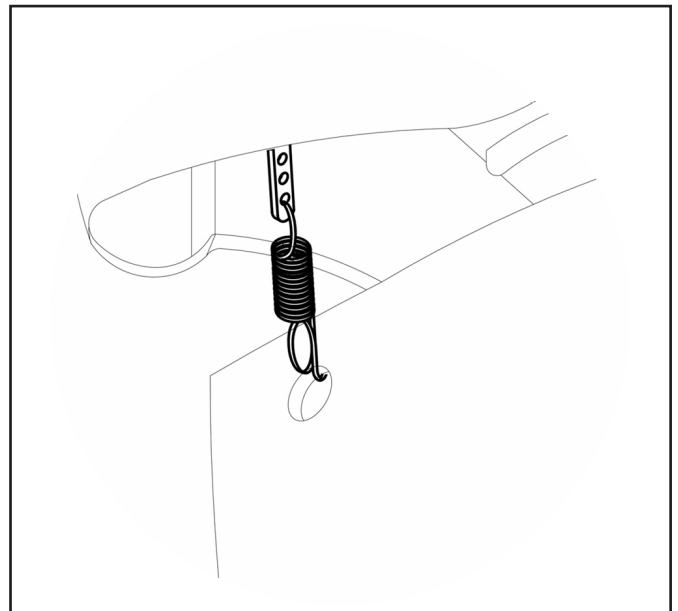
8

Place the shroud back against the wall into position.



9

Using pliers, pull the spring down towards the fixing hole on the shroud, whilst pulling the spring down, a flat screwdriver can be used to lever the hook into the fixing hole.



EVO ROUND BASIN AND SHROUD EV45RBS | EV55RBSN

10

Apply a bead of silicone around the back edge of the basin.

