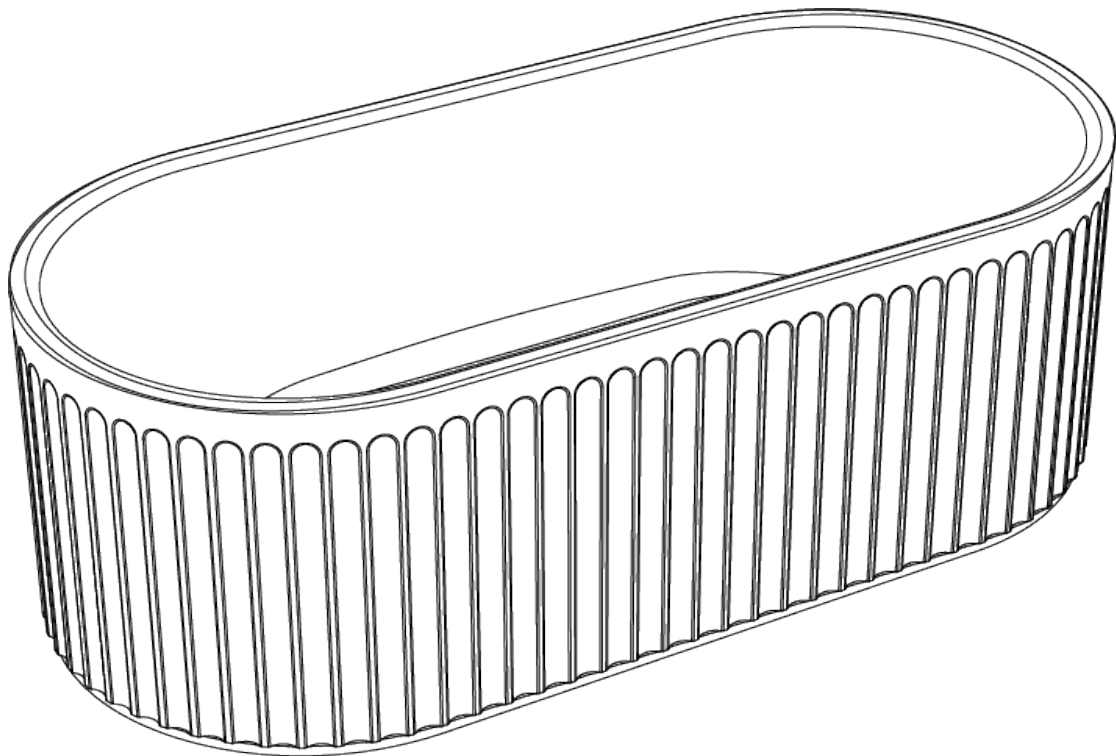


INSTALLATION INSTRUCTIONS

MEEK FREESTANDING BATHS



IMPORTANT!

Please read these instructions prior to installation

Distributed by:

Plumbline

T 04 568 9898 E sales@plumblin.co.nz
www.plumblin.co.nz

Care & Conditions Of Use - Scan Below



General Installation Instructions

IMPORTANT

Please unwrap the bath and check it carefully to ensure it has not been damaged during handling or transport.

Store the bath in a safe place until you begin installation.

During installation it is recommended that the bath is placed on a mat to prevent damage to the bath surface.

Installation should be carried out by a qualified, licensed tradesperson.

These installation instructions do not include details of the waste and trap connection; decisions and installation of the waste and trap connection should be carried out by a qualified, licensed tradesperson.

WASTE & TRAP

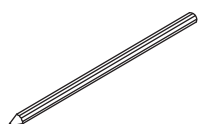
IMPORTANT - ENSURE THERE IS A SUFFICIENT SPACE UNDER THE CHOSEN BATH FOR THE WASTE AND TRAP, A CAVITY IN THE FLOOR WILL BE REQUIRED.

The illustrations in this guide show installation using a conventional PVC waste trap and top fix pop up waste. The below top fix waste is recommended for ease of installation.

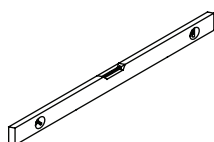
Meek Top Fix Pop Up Bath Waste
MEBAT



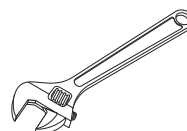
Tools Required For Installation



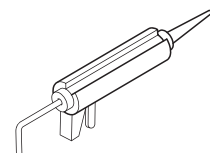
Pencil



Level

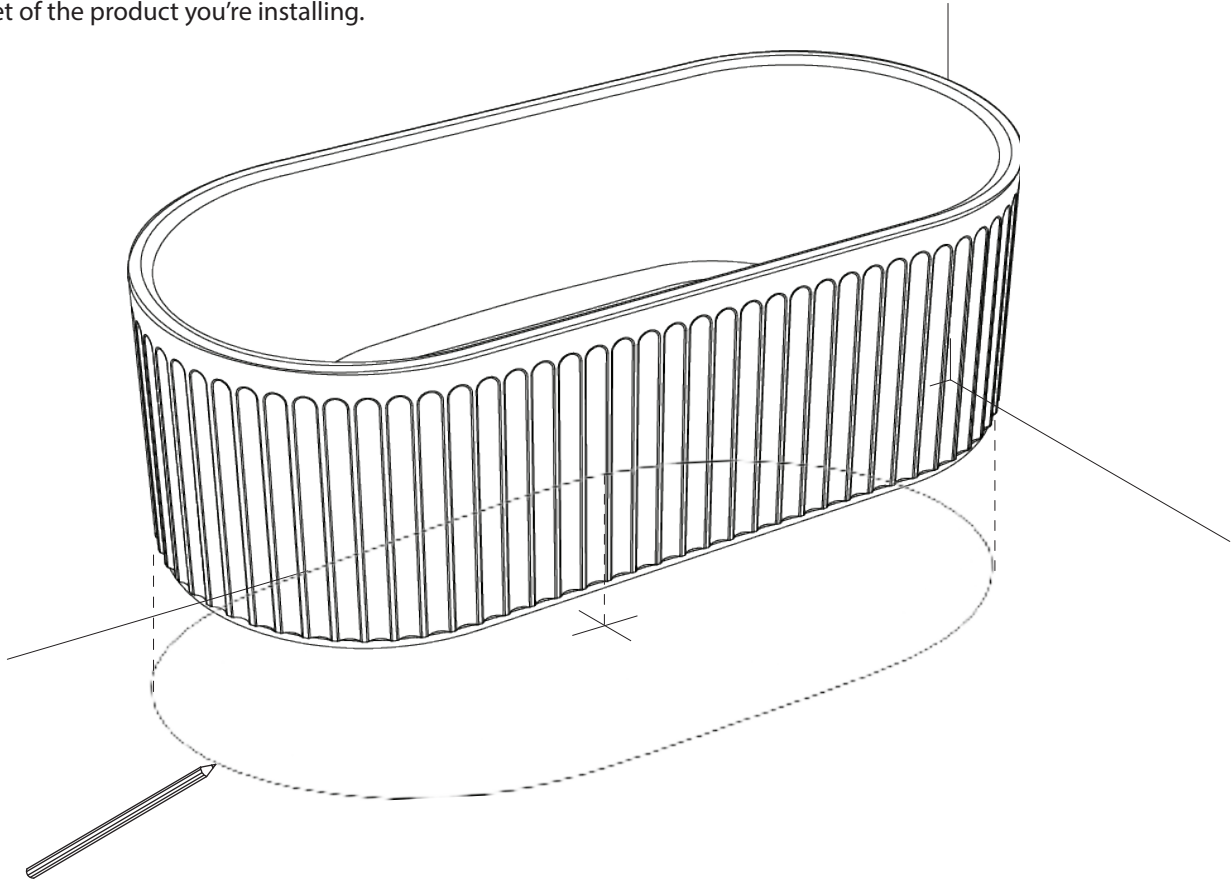


Adjustable Wrench



Caulking Gun/Silicone

1. Mark on the floor the final position where the bath will sit, ensuring the bath waste location aligns with your prepared plumbing cavity. Refer to the spec sheet of the product you're installing.



2. Remove the bath and connect the waste in position.

Note: The illustrations in this guide show installation using a conventional PVC waste (Figure 1). You will need to allow for sufficient space underneath the bath for connection.

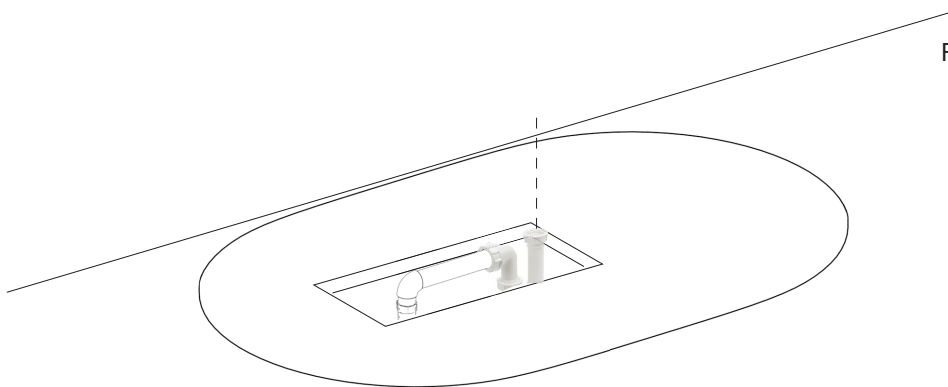
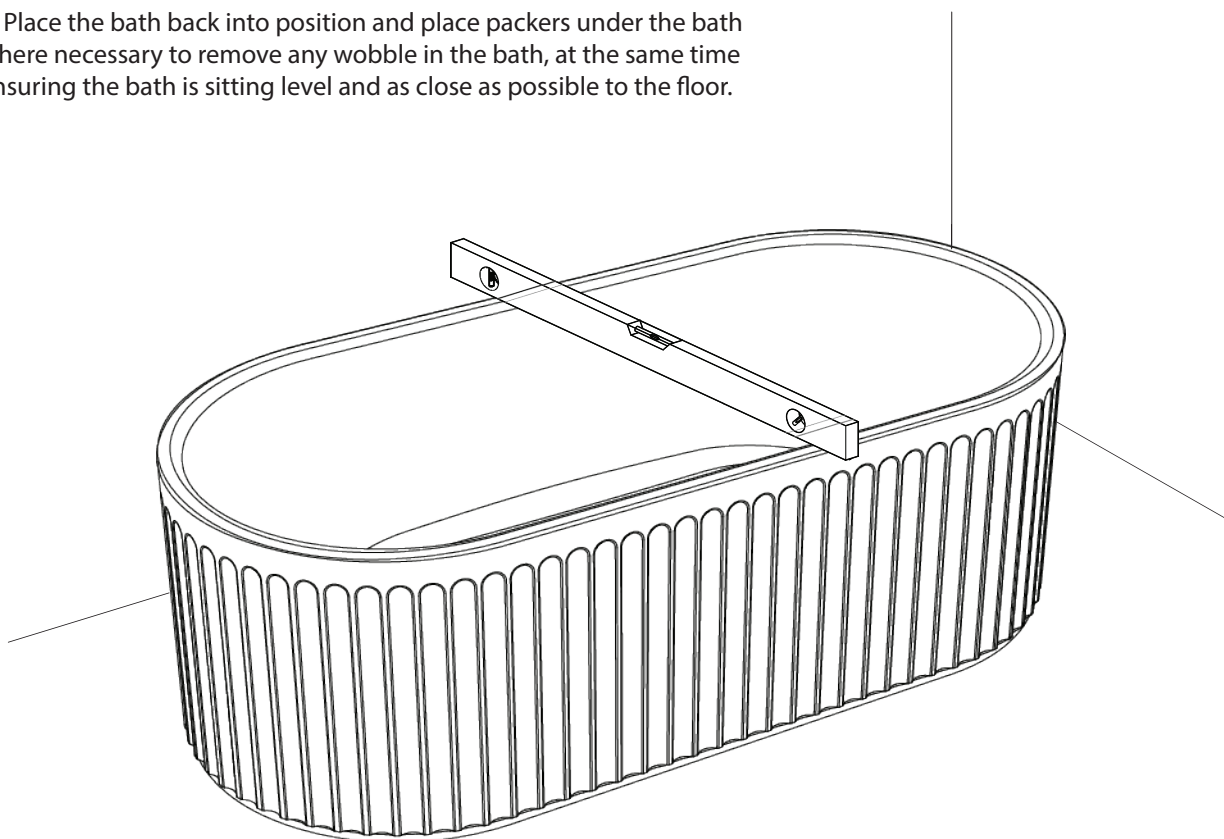


Figure 1

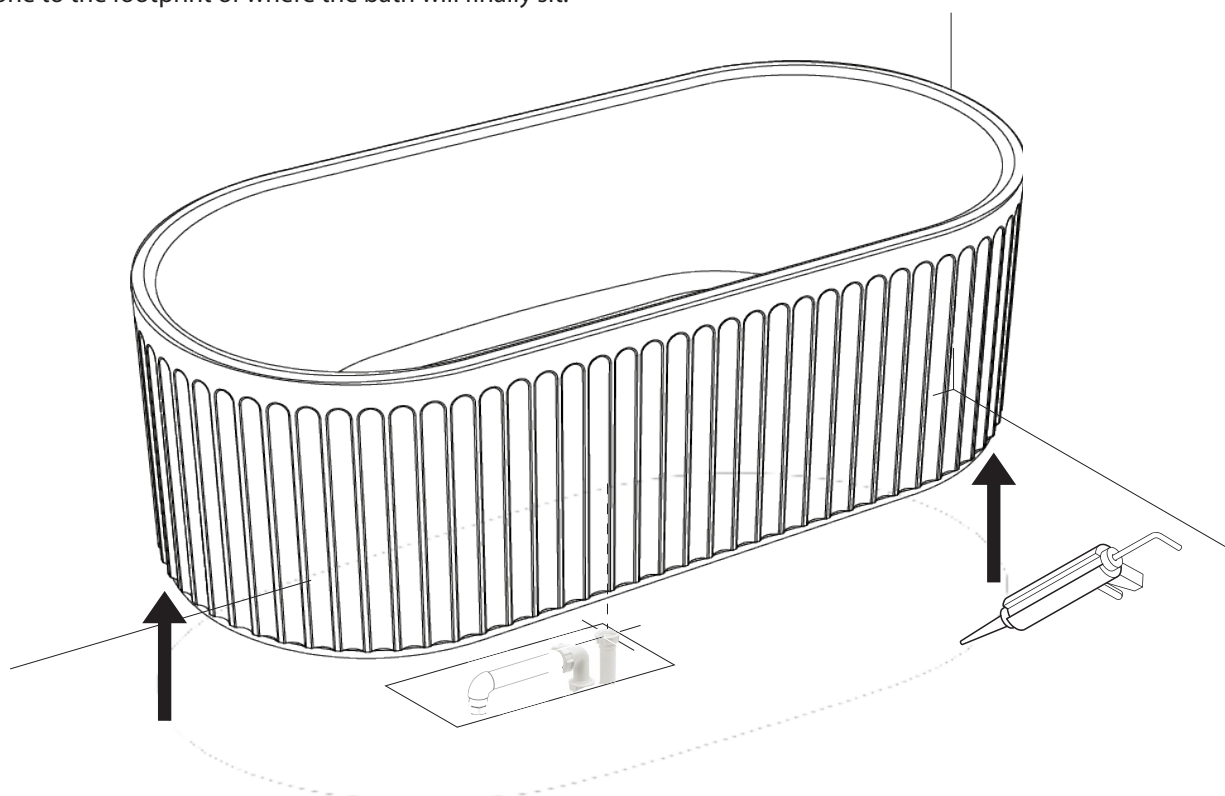
3. Place the bath back into position and place packers under the bath where necessary to remove any wobble in the bath, at the same time ensuring the bath is sitting level and as close as possible to the floor.



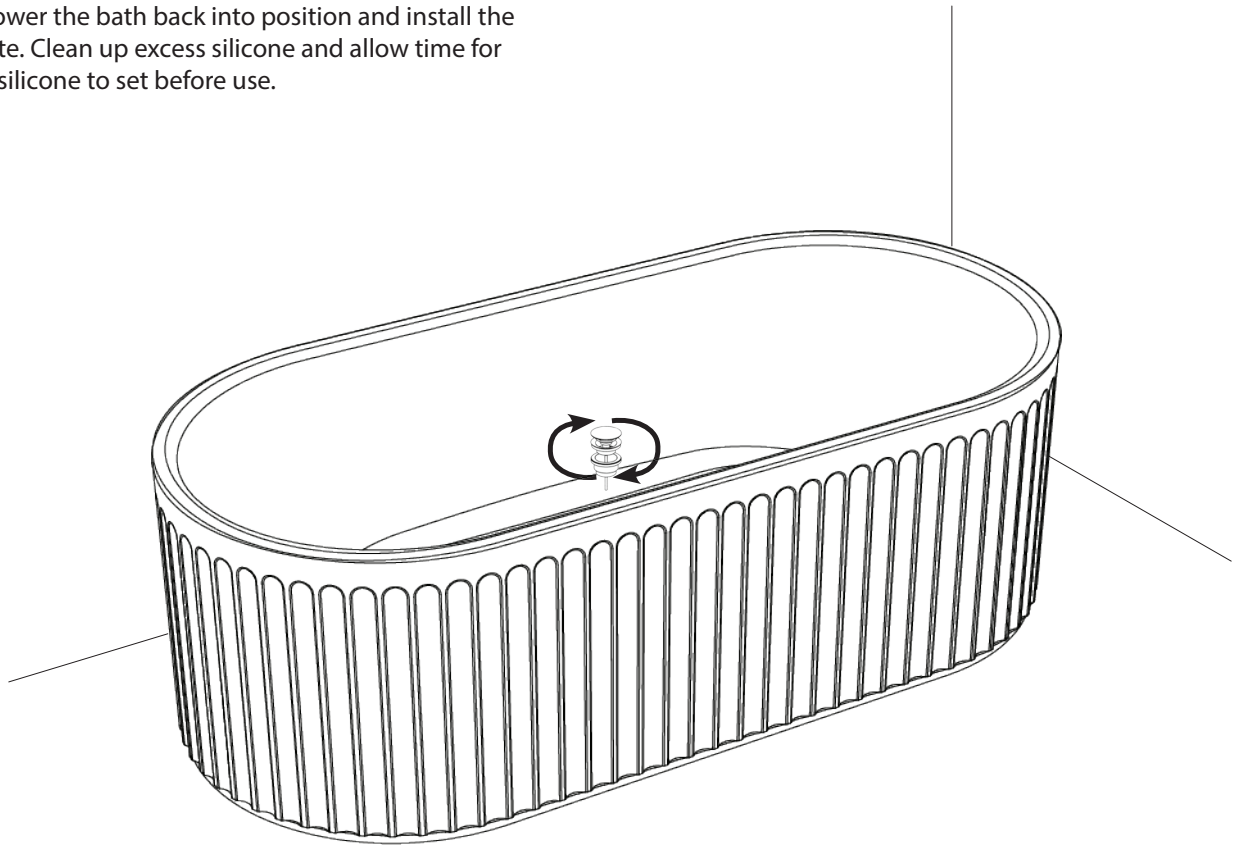
IMPORTANT!

This procedure is to secure the bath in place so that it doesn't move.

4. Remove the bath again and apply a thick bead of silicone to the footprint of where the bath will finally sit.



5. Lower the bath back into position and install the waste. Clean up excess silicone and allow time for the silicone to set before use.



Warranty Information

Five (5) Year warranty from date of purchase.

Plumblin will undertake to replace free of charge any faulty product due to defects in materials or manufacturer workmanship within the warranty period (Proof of purchase must be retained). Plumblin will also supply parts and labour costs for the replacement or repair of any faulty product within two (2) Years of purchase date.

Plumblin (or their approved retailer) reserve the right to assess, repair, replace or service any warranty claims as they see fit.

The above warranties are upheld providing the products have been used for normal domestic only and exclude any defect or injury caused by or resulting from misuse, abuse or neglect, accidental damage, improper installation or other alterations or modifications which affect the reliability or performance of the item not attributed to faulty manufacture. The above warranties do not apply to the replacement of products where damage is caused by normal wear and tear, where the hot water temperature exceeds 55°C or where the warranty claim has not been notified to Plumblin (or their approved retailer) within ninety (90) days of the problem first appearing.

The above warranties do not include consequential loss or damage due to the product.

IMPORTANT NOTE: Avoid tiling over the bath or tiling it in as this will void the the warranty.

31.10.24

Distributed by:

Plumblin

T 04 568 9898 E sales@plumblin.co.nz
www.plumblin.co.nz